



Better Lighting Solution For Area

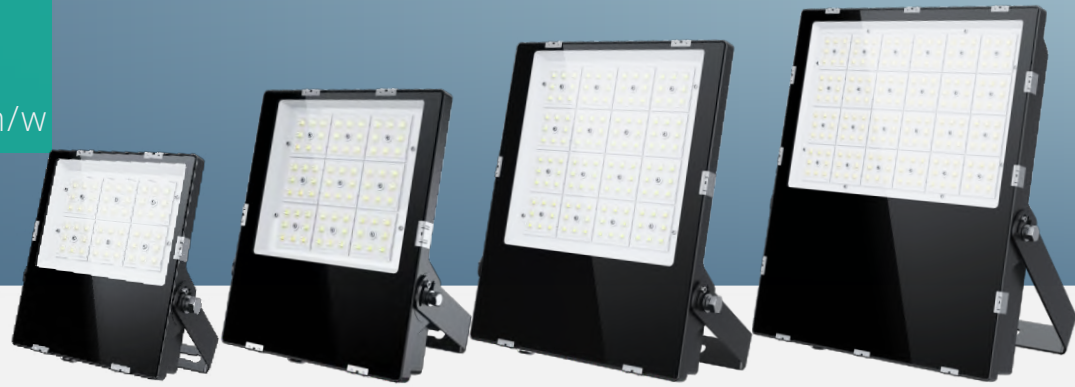
Thanks to a robust aluminum housing with safety tempered glass cover, high quality led and driver, our slim G3 LED Floodlight delivers high lumen efficacy up to 150 LPW and long lifetime. Asymmetric optical distribution improves light effect

This product is an ideal solution for most outdoor applications such as wall mounted around building facades, gardens, paths near to buildings, garages, entrance ways and drives.

Slim G3

NEW DESIGN

With visor, low spill light
With metal mesh, IK10
Asymmetric optics
High brightness up to 150lm/w

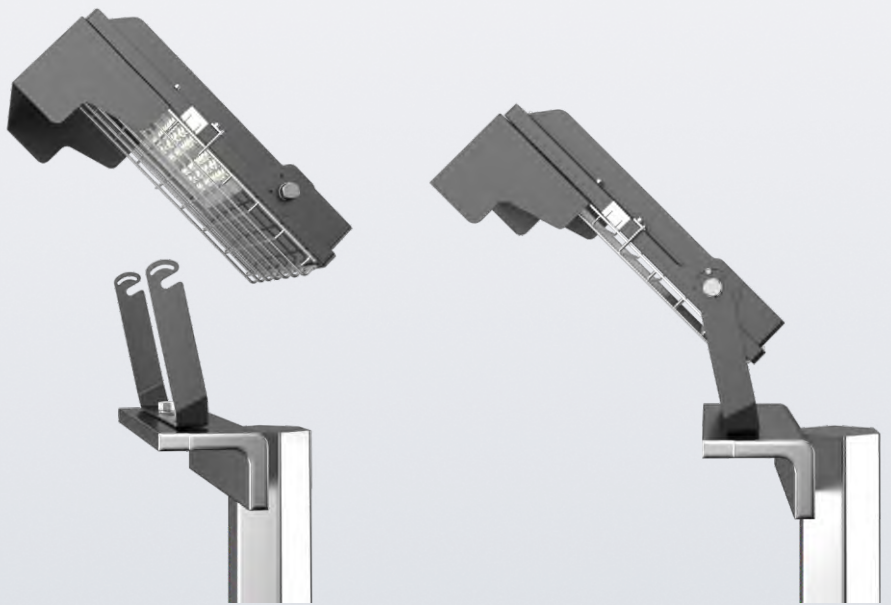


Tempered Glass
PMMA lens
Die-cast aluminum

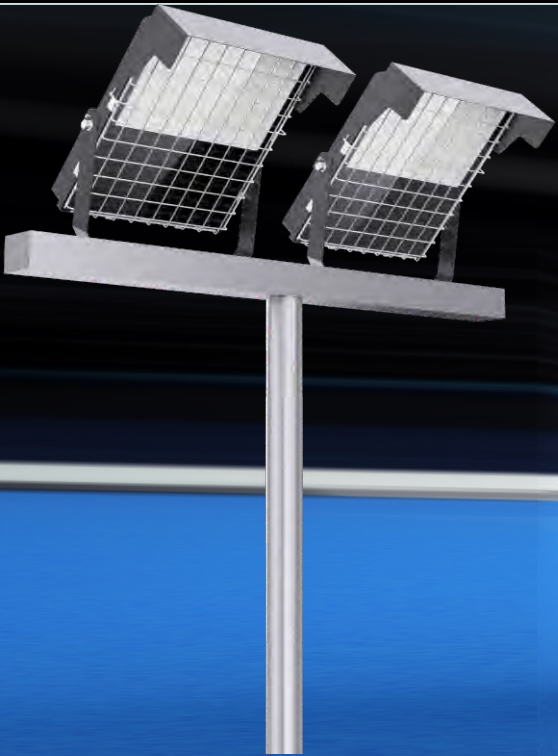


150LM/W

Easy installation

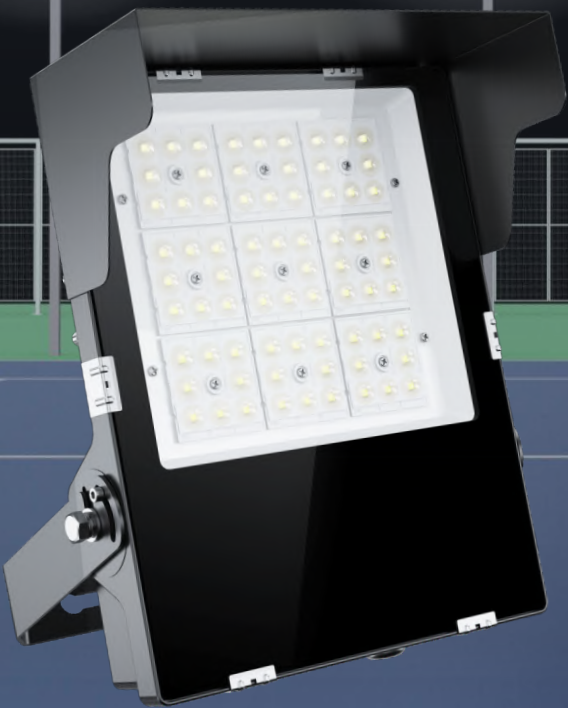


IP66



IK10



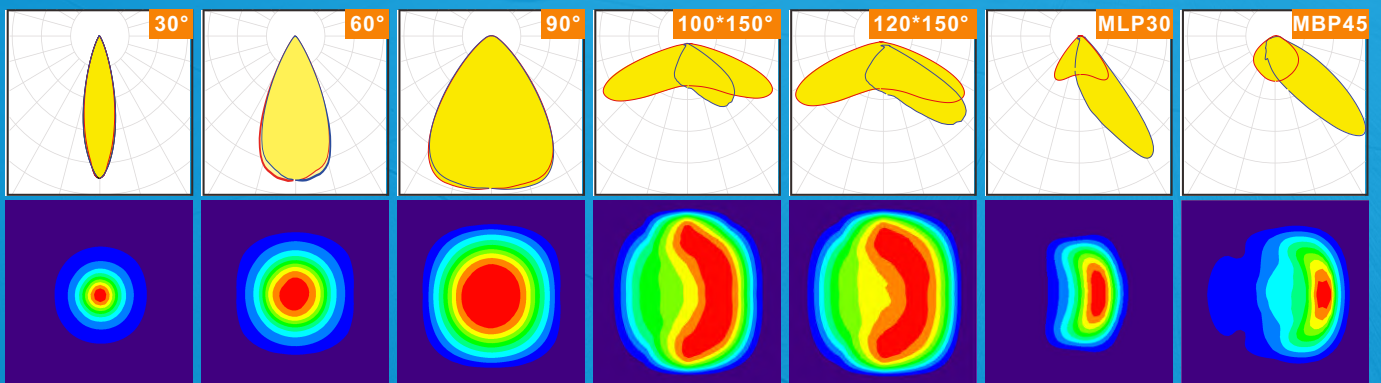


Visor

Asymmetric polarized optics and visor work together to minimize glare, back light, and spill light.

Optics

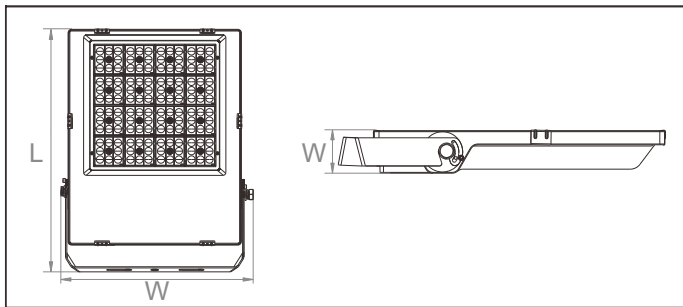
Special designed optics are used for different height and space. They will not only improve the lux and uniformity, but also minimize glare light.





Features

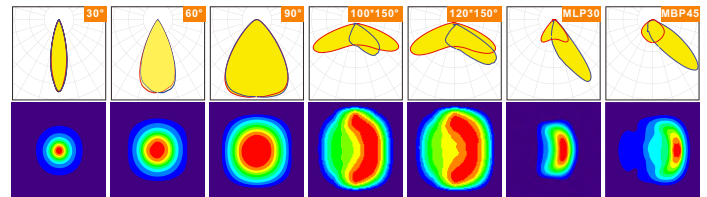
- Housing: Die Cast Aluminum
- Thermal Conductivity: 96 W/m·K
- Led: Cree 3030
- CRI: Ra>70
- SDCM: <6
- Power Factor: >0.95
- THD: <15
- Driver: Meanwell
- Driver Efficiency: >93%
- Protection: OTP, OCP, OVP, SCP
- Surge Protection: 6KV
- Waterproof: IP66
- Impact Test: IK08&IK10
- Electrical: 100-277V, 50/60Hz
- Operating Temperature: -40~50°C
- TM21: L90B10>50,000H
- Lifetime: 50,000H



Functions

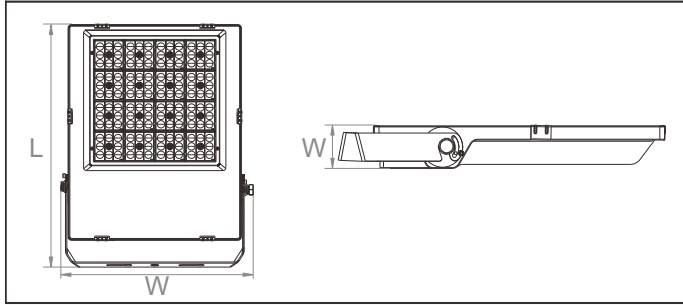
ZigBee · DMX · DALI · 0/1~10V

Optical options:



Model	Watt	Voltage	Lumen	CRI	IP	Dimension
HM100SE1H-CM	100W	100~277V	15000LM	>70	IP66	292*246*53
HM150SE1H-CM	150W	100~277V	22500LM	>70	IP66	336*264*53
HM200SE1H-CM	200W	100~277V	30000LM	>70	IP66	407*328*53
HM240SE1H-CM	240W	100~277V	36000LM	>70	IP66	407*328*53
HM300SE1H-CM	300W	100~277V	45000LM	>70	IP66	496*411*71
HM400SE1H-CM	400W	100~277V	60000LM	>70	IP66	496*411*71

Packing



Luminaire

Model	Outer Carton(mm)			QTY / Outer CTN	Luminaire	
	L	W	H		NW(kg)	GW(kg)
FL100SE1H	370	275	105	1	2.50	2.90
FL150SE1H	415	330	120	1	3.30	3.80
FL200SE1H	485	385	140	1	5.20	5.80
FL240SE1H	485	385	140	1	5.45	6.10
FL300SE1H	586	473	165	1	9.60	10.20
FL400SE1H	586	473	165	1	9.60	10.20